

---

# Ultra EFIS

---

Product model number: UX0EFS3xAM / UX0EFS5xAM

Software: version 5.21.2R or more recent

Firmware: version 3.15 or more recent



## User and Installation Manual

**IMPORTANT:** Before using this manual check if your Ultra product model number corresponds to the above model number.



<b>1. Overview</b>	<b>4</b>
<b>2. Installation</b>	<b>5</b>
2.1 Location	5
2.2 Mechanical installation	5
2.3 Connections & wiring	8
<b>3. System Calibration</b>	<b>10</b>
3.1 Horizon alignment calibration (AHRS)	10
3.2 Compass calibration (magnetometer)	11
3.3 Altimeter calibration	13
3.3.1 Field calibration	14
3.3.2 Factory calibration	14
<b>4. System Operation</b>	<b>14</b>
4.1 How to operate the unit	14
4.2 PFD mode	15
4.3 HSI display mode	18
4.4 SETUP mode	20
4.5 NMEA-OUT	21
<b>5. Software update</b>	<b>22</b>
<b>6. Alarms and Trouble shooting</b>	<b>22</b>
<b>7. Technical Specifications</b>	<b>23</b>
<b>Appendix A - NMEA messages</b>	<b>24</b>

## **DISCLAIMER & WARNINGS**

---

The information displayed by the Ultra is not certified for use for VFR or IFR flights.  
The Ultra is meant as an aid to VFR navigation and is not a substitute for certified EFIS.

All critical flight information is presented for reference only and must be verified by the use.  
The Ultra is not a substitute for on-board instruments.

The pilot in command assumes total responsibility and risk associated with the use of this device and remains solely responsible for flying in safe conditions.

AvMap disclaims any liability deriving from an improper use of the device, in a way that may violate the flight and navigation rules, regulations and safety.

---

## 1. Overview

Ultra is a complete instrumentation system for primary flight display (PFD) and horizontal situation indicator (HSI) functions. It is a rugged and reliable system designed for fixed panel installation.

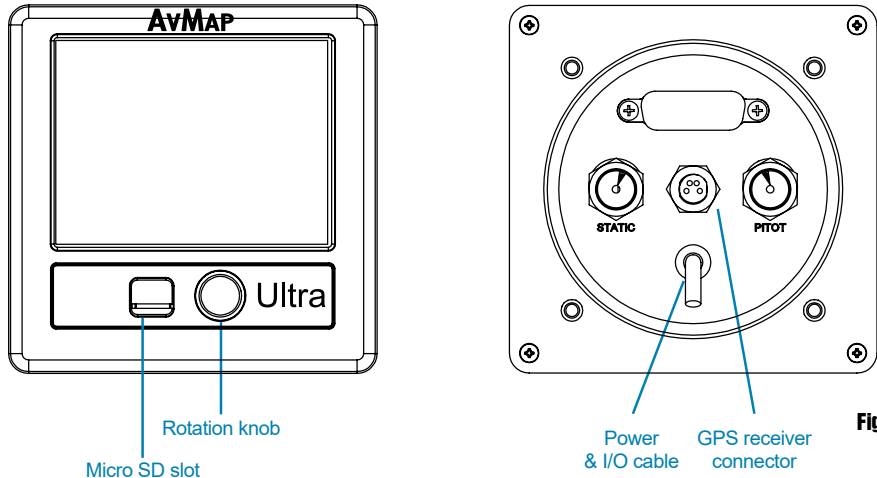


Figure 1

**Note:** For connection specifications see Chapter 2.

### ADAHRS

The core of the Ultra is the ADAHRS module. The ADAHRS module contains solid-state gyros, accelerometers, magnetic field sensors and air data sensors, providing attitude, heading, altitude and airspeed data to the system. In order to take full advantage of its functionality, the Pitot and Static ports should be connected to the aircraft Pitot-static system.

### GPS receiver

Connecting the external GPS receiver to the Ultra, the system provides the pilot with navigation information on the HSI page, providing its position, direction and radials relative to reference navigation points.

### Preloaded navigation POI's

Ultra is preloaded with Jeppesen navigation POI's: Airports, NDB's and VOR's. Coverage available: Europe-Africa, North America, South America, Asia-Australia. For updates contact [orders@avmap.it](mailto:orders@avmap.it).

### Micro SD card

A microSD card is included in the Ultra box. The microSD card is a blank card without data preloaded. The microSD card should be used for updating the software and navigation POI's.

**Note:** For more details see Chapter 4.

### Rotation knob

The rotor plus centre click allow to switch from one mode to the other and to select different menu option.

**Note:** For more details see Chapter 4 and 5.

## 2. Installation

---

The installation procedure is divided in the following steps:

- Location
- Mechanical installation
- Connections & wiring

### 2.1 Location

The Ultra is designed to be installed on the aircrafts instrument panel.

It is assumed that the instrument panel is completely perpendicular to the level and straight flight attitude.

In case the instrument panel is rotated the simple horizon alignment calibration procedure is required.

**Note:** For calibration see Chapter 3.

**IMPORTANT:** The Ultra contains a magnetometer and other precision electrical sensors. The location selected for installation should be clear of strong magnetic or electromagnetic disturbances as much as possible. Avoid installing the Ultra near electronic equipment (other digital EFIS, radios, transponders, etc), AC or variable DC cables, alternators, electrical motors, ferrous materials, etc. In such cases the proper behaviour of the compass is not guaranteed (i.e. the compass may be crossed as “out of order” or may give erroneous indications).

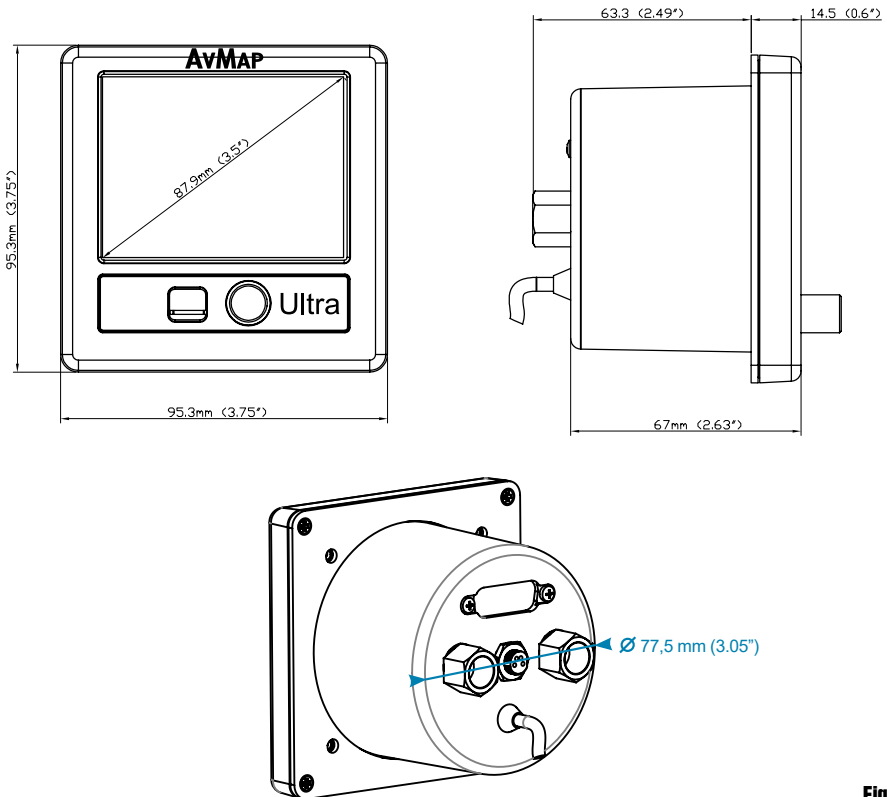
**Hint:** use a hand-held compass to verify the magnetic disturbance in the area selected for installation. If the needle shows relevant changes or unstable indication, the location is not suitable for installation. Make sure to perform this test with all on-board electronic devices switched ON.

### 2.2 Mechanical installation

Make sure you have enough space on the front and behind the cockpit panel to install the Ultra. Check the Ultra measurements on Figure 2.

Ultra is designed to be installed in a standard 3 1/8" (79,5 mm) diameter hole.

The instrument has to be installed from the front of the panel and screwed from behind the panel according to Figure 3.



**Figure 2**

The screw length that need to be used for panel installation depend on the panel thickness and is based on the following formula:

$$5\text{mm} \leq l - t \leq 8\text{mm}$$

$l$  = length of the screw

$t$  = thickness of the panel

Use the screws and metal washer included in the box for standard panel thickness of up to 3mm. For thicker instrument panels, use longer screws and use the formula to choose the right screw length.

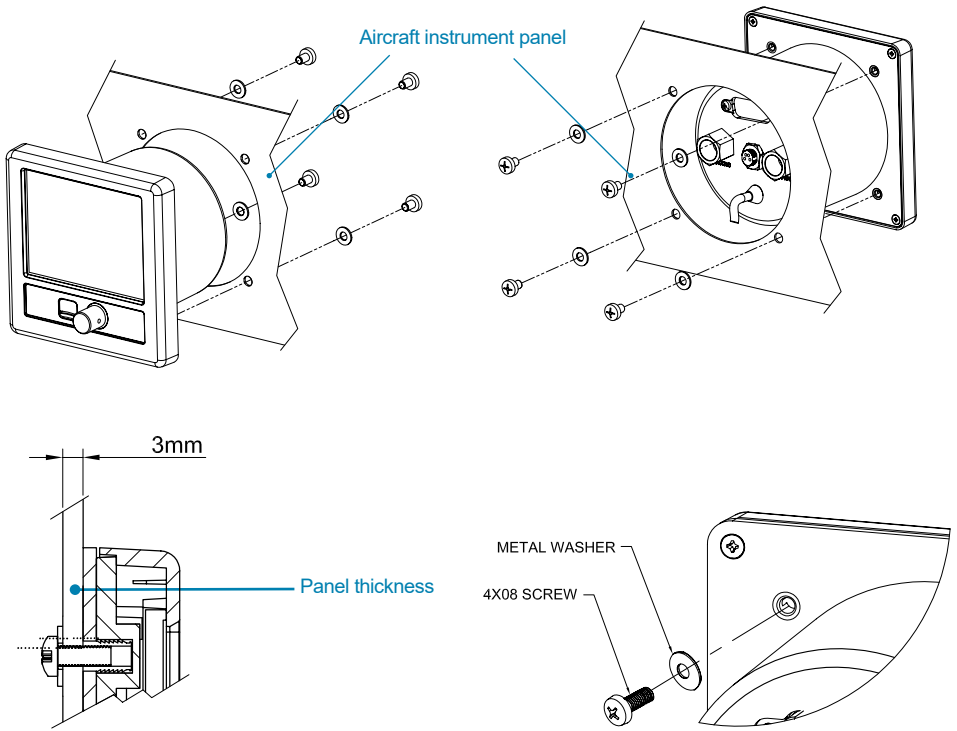


Figure 3

**IMPORTANT:** Make sure you respect the screw length formula to avoid damaging the plastic of the Ultra. Use light thread locker to prevent screw loosening with vibration. Use the Cutting template, included in the box, to cut out the panel. (see Figure 4)

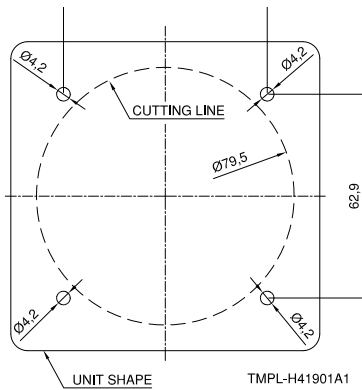


Figure 4

### 2.3 Connections & wiring

On the back of the unit there are 4 connectors: the Pitot port, the static port, the power supply & serial connector, and the GPS receiver connector (see Figure 5).

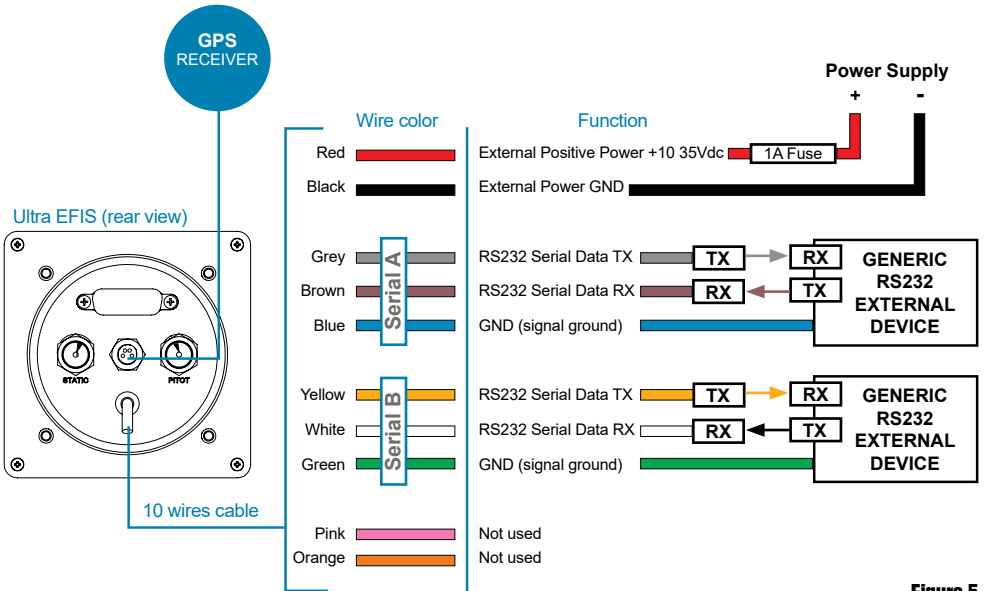


Figure 5

### Connection to the Pitot-static system

In order to display accurate speed and altitude data the Ultra needs to be connected to the aircraft Pitot-static system. The Pitot and static ports on the back of the Ultra are equipped with 1/8" NPT female fittings. To connect the aircraft Pitot and static lines to the Ultra, you must use standard 1/8" NPT male fittings at the end of each of the lines. Installation along with other mechanical or digital altimeters and airspeed indicators is supported by mean of a T coupler (not included in the Ultra box).

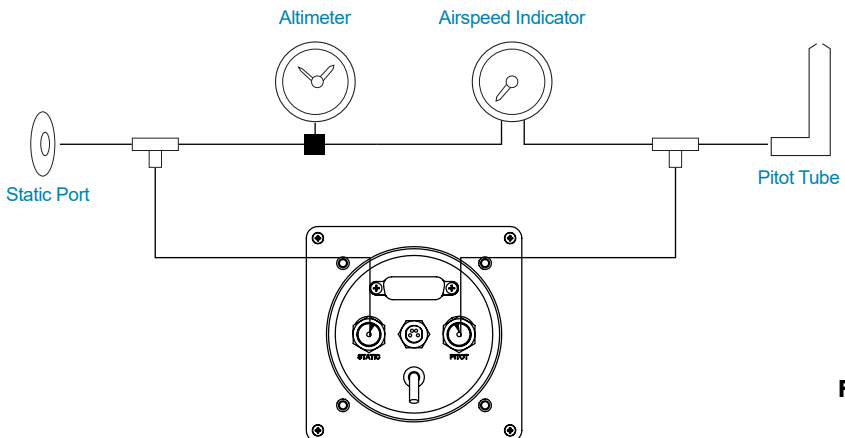


Figure 6



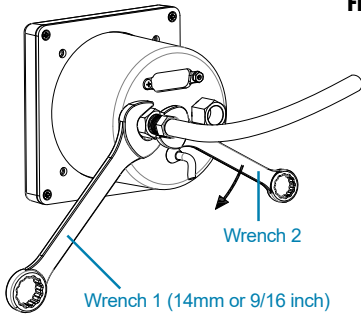


Figure 7

Connect the Pitot line to the port labeled PITOT and the static line to the port labeled STATIC.

**IMPORTANT:** Use 2 wrenches to screw the NPT male fitting into the NPT female fitting. Use the first wrench (14mm or 9/16 inch) to hold the female fitting on its place, and the second key to screw the male fitting into the female one. Screw carefully until the fittings get tight but avoid overtightening (see Figure 7).

**IMPORTANT:** Use flexible plastic tubes and make sure the tubes fit tight on the NPT Pitot and static ports and can not get loose due to vibration.

**IMPORTANT:** We recommend to test the Pitot-static system for leakage after any alteration.

### External GPS receiver connection

Connect the external GPS receiver, included in the box, on the back side of the Ultra to the GPS port as shown on Figure 5.

The GPS receiver comes with a 1,5 meter cable and is designed for use inside the aircraft.

**Note:** an additional gps extension cable of 2 meter is available at the AvMap dealer and AvMap webshop.

The GPS receiver can be mounted to any convenient surface that has a clear view of the sky. It can be mounted on the aircraft's dashboard using the included Velcro strip. The GPS receiver must have a clear view of the sky in order to receive satellite signals. GPS uses "line of sight" signals to locate and track satellites.

If the signals are obstructed by dense objects such as aluminum, steel or even heavy ice, the Ultra will not operate properly. Signals may also be blocked by heated wind screens (fibreglass, plexiglass and other plastics are normally transparent to GPS signals). If you find that the Ultra does not locate GPS FIX quickly or consistently, moving the location of the GPS receiver a few inches often provides a better view of the sky.

### Power supply

**IMPORTANT:** Power the Ultra from an 10 to 35 Vdc supply. Mount on the power wire (RED) the 1A fuse holder, provided in the box, to protect against short circuits.

### Serial Connection

Ultra EFIS comes with two RS232 serial connections, both can be enabled for sending out NMEA messages to external devices (see Figure 5):

Connect the Ultra serial TX wire to serial RX wire of the external device.

Connect the Ultra ground (GND) wire to the ground (GND) wire of the external device.

**Note:** The Ultra is not enabled to receive data through serial, therefore the Ultra serial RX

wire remains out of function and is necessary to be connected to the external device.

**Note:** See paragraph 4.5 for NMEA-OUT settings.

## 3. System Calibration

There are three types of calibration procedures;

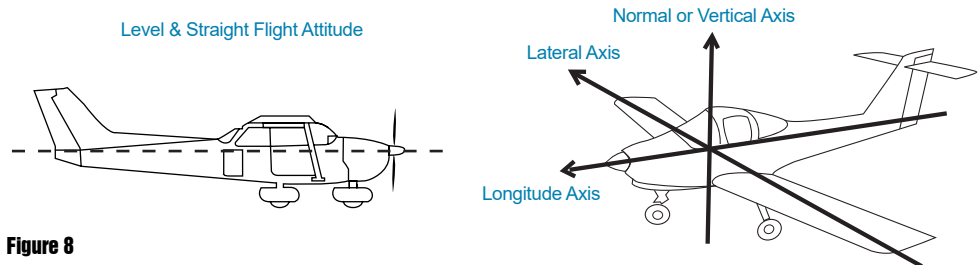
1. Horizon alignment calibration
2. Compass calibration
3. Altimeter calibration

### 3.1 Horizon alignment calibration (AHRS)

#### Scenario A – Horizon alignment calibration NOT required

It is assumed that the Ultra is installed in an instrument panel that is completely perpendicular compared to the level & straight flight attitude and aligned with the lateral axis of the airplane.

In this case no horizon alignment calibration is needed.



**Figure 8**

#### Scenario B - horizon alignment calibration required

In case the Ultra is installed in an instrument panel that is aligned with the aircraft lateral axis, but not perpendicular to the straight & level flight attitude, the simple horizon alignment calibration procedure must be executed.

**Note:** The horizon calibration corrects also a roll offset, if it is not perfectly aligned with the aircraft lateral axis.

#### Horizon alignment calibration procedure

Execute this calibration procedure to align the horizon line of the Ultra with the aircraft's straight & level flight attitude.

The procedure can be performed on the ground or in flight (with 2 people on board). The Ultra must be powered since at least 2 minutes before processing the calibration. When performing the calibration on the ground, set the aircraft in level and straight flight attitude by using jacks or blocks (or by asking a friend to push or lift the tail and hold). If it is known that the aircraft flies in "x" degrees 'nose high' straight and level flight, a digital level can be used to orient the aircraft to normal flight attitude prior to the calibration. It is possible to perform

the calibration in flight, but make sure you know the aircraft straight & level flight attitude. AvMap recommends to perform the calibration on the ground.

**Note:** For a successful calibration in flight, the process should be performed by a second person (not by the pilot) and flight conditions must be safe and stable without wind influence.

Enter the SETUP mode (see chapter 4 System operation) by keeping pressed the rotation knob for 5 seconds and release it.

Push again the rotor knob, select “CALIBRATE” to enter the calibration menu and select “HORIZON” to enter the horizon menu.

In the horizon menu select “ZERO” to calibrate the horizon. After about 2 minutes the horizon line of the Ultra is aligned with the aircrafts straight & level flight attitude.

**IMPORTANT:** If after the first attempt the horizon is not aligned with the aircrafts straight & level flight attitude, execute the horizon calibration again but before executing the calibration first restore the horizon to “DEFAULT” in the horizon menu.

**IMPORTANT:** If you want to restore horizon calibration to the factory default (scenario A), select “DEFAULT” in the horizon menu.

**IMPORTANT:** After a cold startup of the device it may happen that the horizon shows an offset with respect to proper calibration. Wait 2 minutes to let the electronic sensors stabilize before operating the system.

### **3.2 Compass calibration (magnetometer)**

The purpose of this procedure is to compensate magnetic disturbances the Ultra is subject to, due to aircraft metal structures and electromagnetic components. These disturbances, if not compensated, could alter the heading value provided by the system.

For this reason the magnetometer is disabled before the magnetometer calibration procedure is executed.

The procedure requires to point the aircraft nose in 4 directions (north, east, south and west oriented to magnetic north). The total duration for this procedure is about 20 minutes.

**IMPORTANT:** When the magnetometer of the Ultra is not enabled the Ultra uses GPS source to show COG (course over ground) on the compass. To enable compass heading it is necessary to calibrate the magnetometer. In case both GPS and magnetometer sources are lost the compass becomes RED and is out of order.

**IMPORTANT:** Before you proceed with the compass calibration, make sure that the horizon line of the Ultra is aligned with the aircrafts straight & level flight attitude (see paragraph 3.1)

**IMPORTANT:** The compass calibration procedure must be executed in an open field clean of magnetic disturbances (we recommend at the compass rose of your airport).

**Note:** Most airports have a compass rose, which is a series of lines marked out on a ramp or maintenance run up area where there is no magnetic interference. Lines, oriented to

magnetic north, are painted every 30° which is used to perform a compass calibration.

## Compass calibration procedure:

### STEP 1: Prepare aircraft position and system

Taxi the aircraft to the airports compass rose or an open field free from magnetic disturbances. Have the aircraft nose pointed to the magnetic north (0°) radial on the airport compass rose.

**Note:** use a magnetic compass for your reference if you execute the procedure in an open field free from magnetic disturbances).

Set the aircraft in level and straight flight attitude by using jacks or blocks.

**Note:** Make sure that the horizon line of the Ultra is aligned with the aircrafts straight & level flight attitude.

**IMPORTANT:** Perform this test with all on-board electronic devices switched ON.

**IMPORTANT:** Let the Ultra system warm up and stabilize for about 5 minutes before starting the calibration.

**IMPORTANT:** Check on the HSI display if the Ultra receives a GPS fix.

**Note:** in case of no GPS reception the Ultra reports on the PFD and HSI page in RED "NO GPS".

### STEP 2: Calibration calculation for north direction

Enter the SETUP mode by keeping the rotation knob pressed for 5 seconds and release (see chapter 4 for further details). Push again the rotor knob, select "CALIBRATE" to enter the calibration menu, then select "COMPASS" and select "CALIBRATE" ("Mag clear done" message will pop up on the display).

The Ultra display shows: "Point to NORTH. Press NEXT when ready".

Make sure that the aircraft nose is pointed to the magnetic north (0°) radial on the airport compass rose and make sure that the aircraft is not moving. Then confirm by pressing "NEXT".

**Note:** The calibration calculation for north direction will start and a counter will inform of the progress.

### STEP 3: Calibration calculation for east direction

The Ultra display shows: "Point to EAST. Press NEXT when ready".

Have the aircraft nose pointed to the magnetic east (90°) radial on the airport compass rose.

Set the aircraft in level and straight flight attitude by using jacks or blocks.

Let the system stabilize for about 30 seconds and make sure that the aircraft is not moving.

Then confirm by pressing "NEXT".

**Note:** The calibration calculation for east direction will start and a counter will inform of the progress.

### STEP 4: Calibration calculation for south direction

The Ultra display shows: "Point to SOUTH. Press NEXT when ready".

Have the aircraft nose pointed to the magnetic south (180°) radial on the airport compass rose.

Set the aircraft in level and straight flight attitude by using jacks or blocks.

Let the system stabilize for about 30 seconds and make sure that the aircraft is not moving. Then confirm by pressing “NEXT”.

**Note:** The calibration calculation for south direction will start and a counter will inform of the progress.

#### **STEP 5: Calibration calculation for west direction**

The Ultra display shows: “Point to WEST. Press NEXT when ready”.

Have the aircraft nose pointed to the magnetic west (270°) radial on the airport compass rose.

Set the aircraft in level and straight flight attitude by using jacks or blocks.

Let the system stabilize for about 30 seconds and make sure that the aircraft is not moving.

Then confirm by pressing “NEXT”.

**Note:** The calibration calculation for west direction will start and a counter will inform of the progress.

#### **STEP 6: Check compass calibration**

At the end of the calibration process the Ultra will confirm if the magnetometer is calibrated successfully.

The message “Calibration done” will pop up.

**Note:** In the SETUP page after COM 1 will be written “ENABLED MAG”.

**IMPORTANT:** Don't power off the system. Let the system stabilize for about 15 minutes before moving the aircraft.

**Note:** In the “SETUP” menu you can choose to display compass heading in reference to magnetic north or true north (see chapter 4).

**Note:** If the calibration fails or the compass indicator is not enabled, repeat the calibration procedure. If several calibration attempts fails review the installation location of the Ultra. Magnetic disturbance could be too high in the area selected. In alternative, in some aircrafts is experienced that a more precise calibration can be achieved by performing the compass calibration in flight. In flight the aircraft is in a stable and normal flight condition, which is favourable for calibrating the magnetometer and correct magnetic interference. For performing the compass calibration in flight, follow the same calibration instructions and use another source (GPS or compass) to fly into the requested direction. Calibration in flight should be performed by a second person (not the pilot) in safe and stable flight conditions. AvMap disclaims any liability.

### **3.3 Altimeter calibration**

Ultra EFIS contains a barometric altimeter. The included pressure sensor measures atmospheric pressure in order to determine your altitude above mean sea level. The pressure sensor is calibrated at the factory. Nevertheless, due to fluctuations in pressure over time, it is important to periodically calibrate the altimeter to maintain accurate readings.

AvMap provides two possibilities to calibrate the Ultra EFIS altimeter:

- Field calibration
- Factory calibration

### **3.3.1 Field calibration**

The altimeter field calibration adjust the accuracy of altitude readings via the measured barometric pressure. A field calibration can be done manually on the Ultra EFIS (without removing the device from the panel) by inserting the current elevation and current barometric pressure (QNH).

#### **Procedure:**

Select “CALIBRATE ” in the “SETUP” menu and select “ALTIMETER” to enter the altimeter calibration menu. To perform the altimeter calibration select “CALIBRATE”. To reset to the original factory calibration select “DEFAULT”.

Insert the local barometric pressure (QNH) in inHG or hPa, the local elevation in feet or meters and confirm to start the calibration. The device will communicate if the calibration was done successfully or not.

**Note:** during the calibration process a GPS-fix is required, the device must be powered since at least 5 min and the aircraft must not be in movement.

**IMPORTANT:** Check periodically the altimeter accuracy and recalibrate when you notice an offset. By any doubt or continuous altimeter offset readings, AvMap recommends to proceed with the altimeter factory calibration.

### **3.3.2 Factory calibration**

The factory calibration is the calibration activity performed in AvMap Laboratory. AvMap recommends to send the Ultra EFIS in factory every 2 years for complete device checkup, including altimeter calibration. Contact [avionics@avmap.it](mailto:avionics@avmap.it) to receive information about the complete checkup service costs.

## **4. System Operation**

---

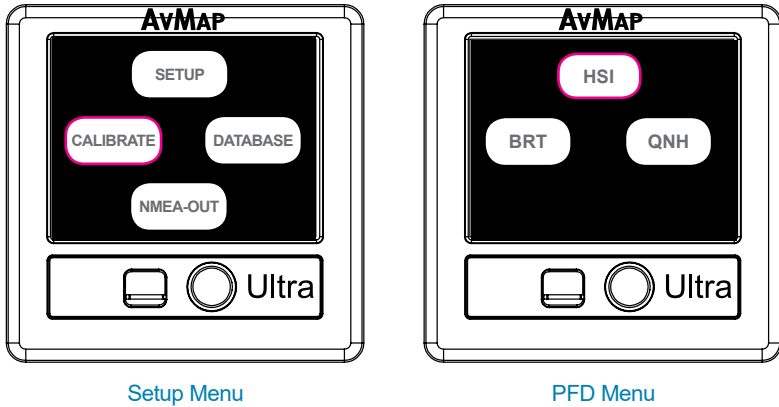
### **4.1 How to operate the unit**

The Ultra contains three display modes:

1. PFD mode
2. HSI mode
3. SETUP mode

The rotor plus centre click allow to switch from one mode to the other and to select different menu option.

At start up the disclaimer page is shown. In the disclaimer page rotate the knob (or push once the rotation knob) to read the disclaimer and confirm by pushing once the rotation knob to enter the PFD mode.



**Figure 9**

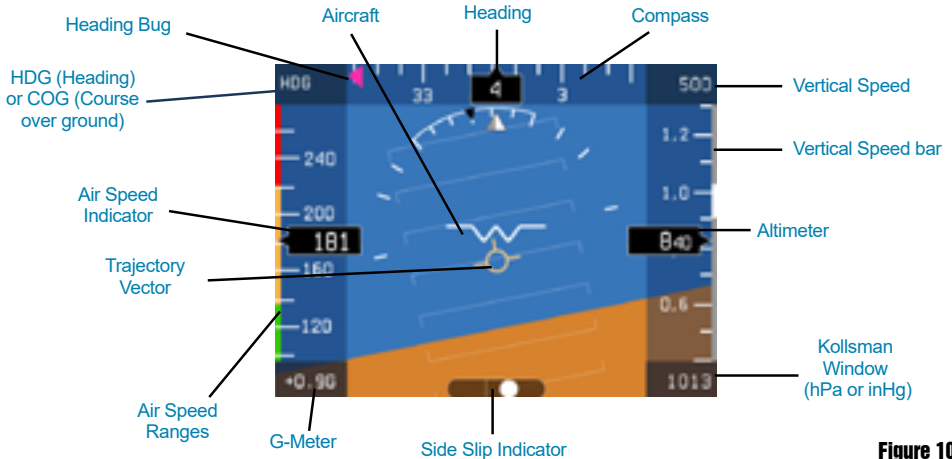
While in PFD mode, pushing once the rotation knob an option menu window appears on the display. Rotate the knob to select a menu and confirm by pushing the rotation knob. The option menu window disappears if the rotation knob has not been operative for more than 5 seconds.

While in PFD mode, you can enter the HSI mode by pushing the rotation knob, select HSI rotating the knob and confirm by pushing again the rotation knob. To go back to the PFD display mode push the rotation knob, select PFD and confirm by pushing again the rotation knob.

To enter the SETUP mode from either the PFD or HSI mode keep the rotation knob pressed for 5 seconds.

**4.2 PFD mode**

The PFD shows critical flight information like attitude, airspeed, altitude, as well as other less critical flight variables like turn coordination, heading, load factor. A detailed explanation of each instrument is given in Figure 10.



**Figure 10**

**Attitude** is displayed with a standard coloured artificial horizon. An aircraft symbol is used to indicate the aircraft's nose orientation.

A **trajectory vector** (also called "Flight Path Vector") is displayed with a circle and three lines; the trajectory vector indicates the aircraft's real path with respect to the horizon and the aircraft's nose.

**Note:** it is possible to enable/disable the trajectory vector symbol in the "PREFERENCE" menu.

**Pitch indicator** is displayed by markers that are horizontal with the horizon and are equally divided with 10 degrees pitch of separation between the lines.

**Roll indicator** is displayed by markers of 10, 20, 30, 45 and 60 degrees of roll.

**Indicated Air Speed (IAS)** is shown in number representation as well as on a vertical tape. The tape also displays four coloured lines for operating arcs; white from the stall speed in dirty configuration ( $V_{s0}$ ) to the maximum flap extension speed ( $V_{fe}$ ), green from the stall speed in clean configuration ( $V_{s1}$ ) to the maximum cruise speed ( $V_{no}$ ), yellow from the maximum cruise speed ( $V_{no}$ ) to the never to exceed speed ( $V_{ne}$ ), and red from the never to exceed speed ( $V_{ne}$ ) and higher.

**Note:** Aircraft specific V-Speed reference values can be entered in the "SETUP" menu (see paragraph 4.4).

**Note:** In the "SETUP" menu select your preference unit for speeds: knots, kph, mph, m/s.

**Altitude** is shown in number representation as well as on a vertical tape. Underneath the tape there is a Kollsman window where the user can adjust the QNH setting.

**Note:** In the "SETUP" menu select your preference unit for altitude: feet (ft), meter (m).

**Note:** Due to fluctuations in pressure over time, it is important to periodically calibrate the altimeter to maintain accurate readings (see paragraph 3.3).

**Side Slip Indicator** is shown with a standard ball indicator. The ball centered on the inner markers corresponds to the aircraft not side slipping.

**Heading** is shown in degrees with respect to magnetic north or true north. The Ultra contains an internal world magnetic model that allows it to calculate the local magnetic deviation and dip. A vertical card compass is also displayed for fast heading reference.

**Note:** in the "SETUP" menu you can choose reference with respect to magnetic north or true north.

**Course over Ground (COG)** is shown on the compass instead of heading in case the magnetometer is not calibrated or when the magnetometer has a failure. The COG data is based on GPS source.

**Note:** If the compass source is GPS, the device shows "COG" aside the compass. If the compass source is the magnetometer, the device shows "HDG" aside the compass. Both can be shown in reference to magnetic north or true north.



**Vertical Speed Indicator (VSI)** is shown in the upper right corner of the PFD page in a numeric number (ft/min or m/s) and on the VSI scale bar aside the altimeter bar (segmentation in 1000 ft/min or 5 m/s). The unit measurement set for altitude is automatically used on the vertical speed indicator (when altitude is set to feet the VSI is shown in ft/min, when altitude is set to meters the VSI is shown in m/s).

### QNH setting

When the Ultra is in PFD mode the pressure reference for the altimeter can be selected by pushing the rotation knob.

Select “QNH” to enter the QNH menu.

Select “BARO” to set the standard atmosphere: QNH value is equal to 1013,25 hPa or 29.92 inch of mercury.

Select “MAN” to set manually local air pressure at mean sea level (QNH value).

### Display Brightness

When the Ultra is in PFD mode the display brightness can be adjusted by pressing the knob and select “BRT”. In the lower left corner on the display the brightness percentage is shown, rotate the knob to change brightness and press to confirm.

### Aircraft specific V-speed reference values

Set the aircraft specific V-speed values to get the right information on the air speed ranges bar.

Refer to the aircraft operating manual to find the correct values of your aircraft.

To change V-speed reference values go to the SETUP mode by pressing the rotation knob for 5 seconds.

Select “SETUP” to enter the setup menu and select “SPEEDS” to enter the V-speed reference values shown on the bottom of the SETUP mode.

Rotate the rotation knob to change values and push the rotation knob to confirm.

**Note:** In the “SETUP” menu select your preference unit for speeds: knots, kph, mph, m/s.

V-speed values	
<b>Vne</b>	Never to exceed speed
<b>Vn0</b>	Maximum cruise speed
<b>Vs0</b>	Stall speed with flaps & landing gear deployed
<b>Vfe</b>	Maximum flaps extended speed
<b>Vs1</b>	Stall speed with flaps & landing gear retracted

### 4.3 HSI display mode

The HSI shows navigation data: position, distance, directions, and radials relative to reference navigation points. Figure 11 shows the data layout on the screen:

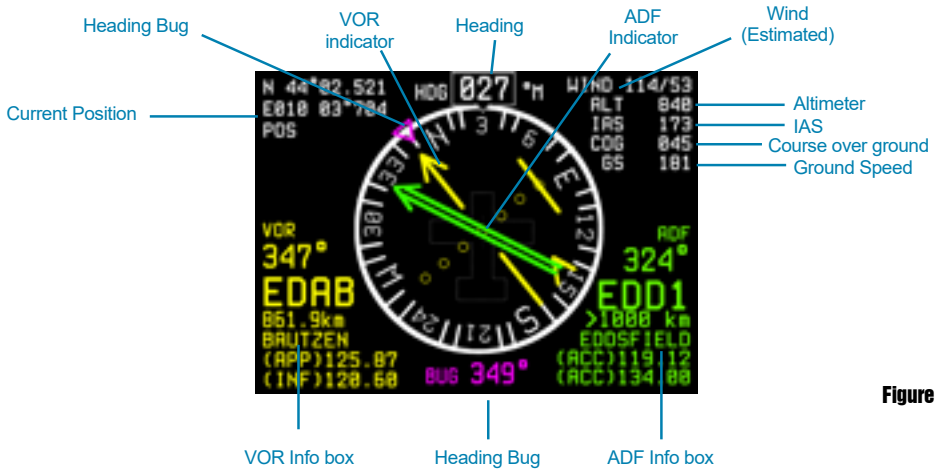


Figure 11

**Heading** is shown in degrees with respect to magnetic north or true north. The Ultra contains an internal world magnetic model that allows it to calculate the local magnetic deviation and dip. A vertical card compass is also displayed for fast heading reference. **Note:** in the “SETUP” menu you can choose reference with respect to magnetic north or true north.

**Course over Ground (COG)** is shown on the compass instead of heading in case the magnetometer is not calibrated or when the magnetometer has an failure. The COG value is always shown in a numeric value on the right side of the HSI page. The COG data is based on GPS source.

**Note:** The COG value is anyway always shown on the right side of the HSI page.

**Note:** If the compass source is GPS, the device shows “COG” above the compass. If the compass source is the magnetometer, the device shows “HDG” above the compass. Both can be shown in reference to magnetic north or true north (setup in “UNITS” menu).

**Current Position** is shown in latitude/longitude format. The Ultra can calculate position even in the absence of GPS. In absence of GPS fix the position indicator change in RED.

**Wind** data is approximated and displayed by the system when suitable GPS, compass and IAS data are available. Wind direction is referred to the direction where the wind is coming from.

**Note:** The speed units selected in the “SETUP” menu are also applied to wind speed.

**Note:** Without compass calibration (see chapter 3) wind data are not available.

**Ground Speed (GS)** data is based on GPS source. The Ultra can calculate ground

speed even in the absence of GPS, with degraded quality; this is indicated by a change in colour (RED) in the ground speed indicator.

**Note:** In the “SETUP” menu select your preference unit for speeds: knots, kph, mph or m/s.

**Automatic Direction Finder (ADF)** is shown with a standard double line needle in green color. The ADF info box of the navigation POI (Airport, VOR or NDB), used to calculate distance and direction is shown in the bottom right corner. The ADF info box includes the ADF bearing, POI ID, distance (in nm, km or miles), POI name, and two frequencies. The ADF continuously displays the relative bearing from the aircraft to the selected ADF point.

**Note:** The ADF function on the Ultra is a digital version of the traditional ADF instrument. The Ultra calculates the ADF bearing from its GPS position and coordinates of the selected ADF destination point (from the preloaded POI database).

**VOR (VHF omnidirectional range)** is shown with a standard single line needle in yellow colour. The VOR indicator is complete, with course deviation indicator (CDI) and to/from flag. The VOR info box of the navigation POI used to calculate distance and direction is shown in the bottom left corner. The VOR info box displayed includes the VOR radial, POI ID, distance (in nm, km or miles), POI name, and two frequencies.

**Note:** The VOR function on the Ultra is a digital version of the traditional VOR instrument. The course deviation indicator and TO/FROM flag are based on the selected radial, its GPS position, aircraft heading and the coordinates of the selected VOR destination point (from the preloaded POI database).

### **VOR navigation settings**

When the Ultra is in HSI mode press the rotation knob to enter the HSI menu.

Select “VOR” to enter the VOR menu:

In the “VOR” menu you can select OBS (Omni Bearing Selector), POI, OFF. In the POI menu you can select an Airport (ARPT), VOR and NDB as your navigation point.

Select OBS to set the desired course. Select OFF to disable VOR Navigation and clean the display information.

### **ADF navigation settings**

In the “HSI” menu, select “ADF” to enter the “ADF” menu.

In the “ADF” menu you can select an Airport (ARPT), VOR and NDB as your navigation point. Select OFF to disable ADF navigation and clean the display information.

**Note:** The destination POI selected in the ADF navigation box is communicated to external devices (like autopilot or any other external device) when NMEA-OUT is enabled. See paragraph 4.5 for more information.

### **Heading bug**

In the “HSI” menu, select “BUG” to setup the heading bug on the HSI. Use the rotation knob to select the bug direction and confirm by pressing the rotation knob. The bug is shown on the compass in magenta colour, both on the HSI and PFD display.

## 4.4 SETUP mode

To enter the SETUP mode from either the PFD or HSI mode keep the rotation knob pressed for 5 seconds.

The SETUP mode provides you information regarding the software version, enabled COM ports, V-speed values and display brightness.

In the SETUP mode push the rotation knob to enter the “SETUP” menu:

In the “SETUP” menu you can enter the following menu’s:

- CALIBRATE: To calibrate the compass, horizon and altimeter.
- DATABASE: To update the navigation POI’s and manage user data points.
- SETUP: To change preference settings like display brightness, configure the aircraft specific V-speed values, change units measurements and reset all settings to factory default.

**Note:** For compass and horizon calibration see Chapter 3. For NMEA-OUT settings see paragraph 4.5.

### Aircraft Specific V-speed reference values

Select “SPEEDS” in the “SETUP” menu to enter the V-speed reference values shown on the bottom of the SETUP mode.

Rotate the rotation knob to change values and push the rotation knob to confirm.

Refer to the aircraft operating manual to find the correct values of your aircraft.

**Note:** In the “SETUP” menu select your preference unit for speeds: knots, kph, mph, m/s.

### Navigation POI management

Ultra is preloaded with Jeppesen navigation POI’s: Airports, NDB’s and VOR’s.

In the “DATABASE” menu you can choose “IMPORT” to update navigation POI’s on the Ultra through the microSD card. Make sure the microSD card is inserted in the Ultra.

**Note:** To update the navigation POI’s on your Ultra visit [www.avmap.it](http://www.avmap.it) or contact [orders@avmap.it](mailto:orders@avmap.it). Follow the update instructions that are provided together with the POI purchase.

### User Data

In the “DATABASE” menu select “USER DATA” to enter the user database menu.

In the “USER DATA” menu you can enter the following menu’s:

- IMPORT: Import a database file prepared by AvMap for specific coverages. Check which additional database files are available at the Ultra product page at [avionics.avmap.it](http://avionics.avmap.it).
- EDIT: Edit existing user points information.
- NEW: Create a new user point. Insert ID, Name, LAT/LON, Altitude, and desired information in info-field 1 and info-field 2.
- DELETE: Delete existing user points.

### Display brightness

Select “BRIGHTNESS” in the “SETUP” menu to adjust the display brightness. Use the rotation knob to change the display brightness and confirm by pushing the rotation knob.

### Units measurement settings

To change units measurement select "UNITS" in the "SETUP" menu.

You can change the following units measurements:

- **NORTH:** compass heading can be set in degrees with respect to magnetic north or true north.
- **PRESSURE:** barometric pressure can be set in hPa or inHg.
- **SPEED:** All speed referred information (IAS, wind speed, ground speed, aircraft V-speed range) can be set in knots, kph, mph or m/s.
- **ALTITUDE:** Altitude can be set in feet or meters. The unit measurement set for altitude is used by the altimeter and vertical speed indicator. When altitude is set to feet the vertical speed is shown in ft/min, when altitude is set to meters the VSI is shown in m/s).
- **DISTANCE:** Distance to an VOR or ADF navigation point can be set in nm, miles or km.

### 4.5 NMEA-OUT

The Ultra EFIS comes with two RS232 serial connections ("Serial A" and "Serial B"), both can be enabled for sending out gps data (NMEA messages) to external devices (autopilot, transponder, navigation or EFIS system). NMEA 0183 protocol is applied for sending out the following NMEA messages: GGA, GSV, GSA, RMC, RMB, APB, APA.

Note: See Appendix A for a description of each NMEA message.

- Select "NMEA-OUT" in the "SETUP" menu and select "Serial A" or "Serial B" in order to setup the desired settings per serial, and confirm by pressing the knob.
- Select ON/OFF in order to enable or disable the NMEA-OUT function, and confirm by pressing the knob.
- Select the required baudrate (4800 / 9600 / 144400 / 19200 / 38400) and confirm by pressing the knob.
- Select ON/OFF for each NMEA message in order to enable or disable the NMEA message to be send out, and confirm by pressing the knob.

**IMPORTANT:** Check the manual of the connected external device in order to select the required baudrate and NMEA messages for a correct serial interface. It is possible to enable Serial A and Serial B in pallel and select for each serial different NMEA messages and different baudrate. For a succesfull serial interface the NMEA messages and baudrate settings on the Ultra serial and the connected external device must correspond.

**IMPORTANT:** NMEA messages that contain destination data (RMC, RMB, APB and APA), often used when connected to an autopilot, navigation or EFIS system, will contain the destination POI selected in the ADF navigation menu. Destination POI's that are selected in the VOR navigation menu are not used by the Ultra when sending out NMEA messages.

**IMPORTANT:** GPS reception is required in order to send out useful nmea messages data to external devices.

## 5. Software update

---

Download the software update file from [www.avmap.it/support](http://www.avmap.it/support) and copy the software file on the mSD card.

Insert the microSD card into the Ultra while the Ultra is turned OFF.

Turn the Ultra ON providing power supply to the device.

A message will show on the display: "COPY NEW BINARY?".

Push once the rotation Knob and select "YES" to update the Ultra with the new software, or select "NO" if you don't want to proceed with the update.

After the update process the Ultra starts up as usual. Check the software version in the "SETUP" mode.

## 6. Alarms and Trouble shooting

---

### Magnetometer not calibrated or not operating correctly

When the magnetometer is either not calibrated or not operating correctly, the compass on the PFD and HSI display becomes RED.

It can occur sporadically during flight and it is not problematic, as the unit continues to estimate heading correctly using gyroscopic and other internal means. Magnetometer failures on start-up or during prolonged periods lead to incorrect heading readings.

#### *What to do?*

Perform magnetometer calibration. If the problem persists, and the magnetometer is external, check connection. If problem persists, relocate magnetometer in the aircraft according to installation instructions and recalibrate. If problem still persists, external magnetometer or unit might require service.

### GPS failure

During the Ultra start-up and until a GPS fix is acquired, the GPS position field on the HSI display will indicate GPS error in RED. If the GPS fails during operation, the same condition is indicated. The unit can continue calculating position with degraded precision in absence of GPS.

#### *What to do?*

Allow for some time (up to 3 minutes) for the GPS to acquire first fix. If failure persists after this point, verify GPS antenna connection.

### AHRS failure

When the PFD display mode becomes totally RED there is a AHRS failure. This failure occurs when the unit exceeds any of the following limits: 1600deg/s (all axis) and 8g (all axis).

*What to do?*

This failure should only occur during high dynamics in flight. The unit will accumulate error in the attitude estimation during these high dynamic conditions, but this error is automatically reduced and eliminated even on dynamic conditions (provided limits are not continuously exceeded). If this failure occurs in non-high dynamic conditions, unit requires service.

**Altimeter failure**

When the altimeter in the unit is either out of range or not operating correctly the altimeter tape becomes RED.

*What to do?*

If the altitude is within the limits of the unit (as quoted in the specifications), check for a static port blockage. If the static port is not obstructed, the unit requires service.

**Unit failure**

When the PFD and HSI display modes show a RED cross the system is not operative. This failure indicates that the sensor system on the unit is no longer speaking to the symbol generator CPU.

*What to do?*

This problem can occur because the unit is configured wrong, because the software on the device inside it has been erased, or because of an internal failure. The first two causes can be solved by updating the software with the latest available software version. If a software update doesn't resolve the failure the Ultra requires service at AvMap facility.

## **7. Technical Specifications**

---

**Software:**

- Airspeed and Altitude from Pitot-static system
- Attitude (roll, pitch and heading) and side slip
- Wind indicator
- HSI with Course Deviation Indicator (CDI)
- Altimeter reference, Heading reference, Aircraft specific V-speed reference values
- Preloaded with Jeppesen navigation POI's (APT, VOR, NDB) for navigation back-up (4 coverages available: North America, South America, Europe-Africa, Asia- Australia)
- Exceptional navigation capability in case of loss of GPS signal
- Load factor (G-meter)
- Vertical speed indicator
- Add user points to the database for HSI navigation
- NMEA 0183 OUT (GGA, GSV, GSA, RMC, RMB, APB, APA)

**Hardware:**

- Dimensions: 95 x 95 x 78 mm (3.74" x 3.74" x 3.07")
- Diameter: 77,5 mm (3.05"); Installing diameter: 79,5 mm (3 1/8")
- Weight: 230 g (8.1 oz)
- Display: 3.5"; 320 x 240 pixels, brightness 500 cd/m<sup>2</sup>
- Operational temperature: -20 °C to + 70 °C / -4 °F to +158 °F
- 3-axis gyros, accelerometers and magnetometers
- Acceleration range (3 axis): +/- 8 g
- Rotation range: +/- 1600 deg/s
- Air data sensors: range 10 to 215 kts, -1000 to 40000 ft
- UAV Navigation® Motion processor
- Micro SD slot
- 1.5 m (59") free wires power supply cable (10/35 VDC)
- 2 serial ports RS-232
- Consumption @ 12 V DC: 100 mA nominal

**Included accessories:**

- GPS receiver U-Blox NEO 6Q with 1.5 m (59") cable
- Mounting KIT (cutting template, 4x metal washers and 4x screws)
- 1x 1A fuse holder
- Blank microSD card
- Microfiber cleaner cloth



## Appendix A - NMEA messages

---

**APA** Autopilot Sentence “A” contains navigation receiver warning flag status, crosstrackerror, Waypoint arrival status and initial bearing from origin Waypoint to the destination Waypoint for the active navigation leg of the journey.

**APB** Autopilot message contains all of the above plus: heading to steer toward destination, bearing from the present position to the destination (magnetic or true).

**GGA** GPS position, time, fix quality, number of satellites used, height of antenna, HDOP (Horizontal Dilution of Precision), differential reference information and age.

**GSA** GPS receiver operating mode, satellites used in the navigation solution reported by the \$— GGA sentence.

**GSV** Number of satellites in view, satellite numbers, elevation, azimuth, and SNR value.

**RMB** Data status, Cross Track Error, direction to steer, origin, destination Waypoint, Waypoint location, bearing to destination and velocity toward the destination.

**RMC** Time, Latitude, Longitude, Speed Over Ground, Course Over Ground and date.

For information about the NMEA format specifications: [www.nmea.org](http://www.nmea.org).

---

# Ultra **EFIS**

---

